

# PRESSURE SWITCH DUAL SEAL CERTIFICATION CONVERSION PROGRAM

## Does your pressure switch meet CSA Dual Seal Certifications?

Any Argus Pressure Switch manufactured after October 4, 2007, complies with CSA Dual Seal regulations, **CSA and ANSI / ISA – 12.27.01**, thus eliminating the requirement for secondary dual seal devices.

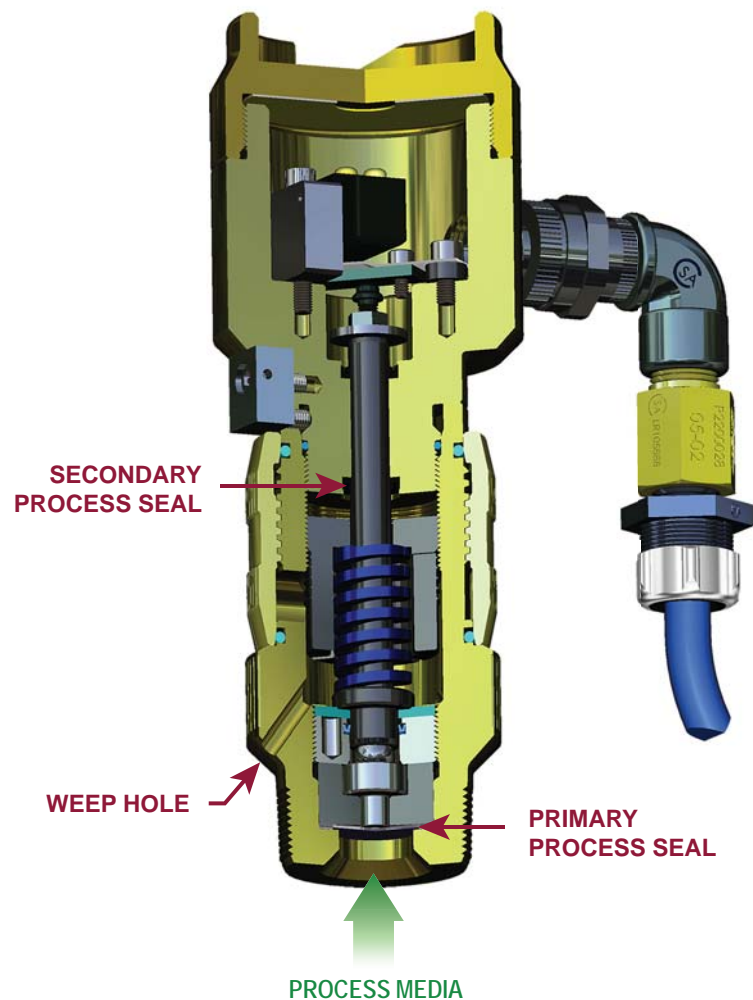
## PROGRAM DETAILS

- Pressure switches in need of refurbishment would be sent directly to Argus for assessment.
- All necessary components to convert the pressure switch to dual seal will be replaced.
- To complete the conversion, we will add a subsequent nameplate. The additional nameplate will be stamped with the Dual Seal Certification.

## PROGRAM COST

Basic Repair & Certification - \$250

*\*\*\*Additional charges apply for repairs requiring more than the basic components to upgrade the pressure switch\*\*\**



**ARGUS MACHINE CO. LTD.**



**1.888.434.9451**

**argusmachine.com**

# DUAL SEAL CERTIFICATION REQUIREMENTS

## According to Canadian Electrical Code requirements:

Secondary Seals shall be provided, between devices containing a primary seal and conduit or cable seals, where failure of a single component in the device containing the primary seal could allow passage of process fluids.

## Frequently Asked Questions

### I have multiple Argus Pressure Switches currently in service. Am I required to replace them?

Any wells commissioned prior to February 14, 2007 do not require a secondary seal and are “grandfathered” under prior standards.

### If I removed an Argus Pressure Switch manufactured prior to February 14, 2007, can I put it back into service?

As long as it is used on a well that was commissioned prior to February 14, 2007.

### How do I know if my pressure switch is Dual Seal?

Your switch MUST be stamped with the words “Dual Seal” to comply with CSA regulations.



**EDMONTON • CALGARY • NISKU**