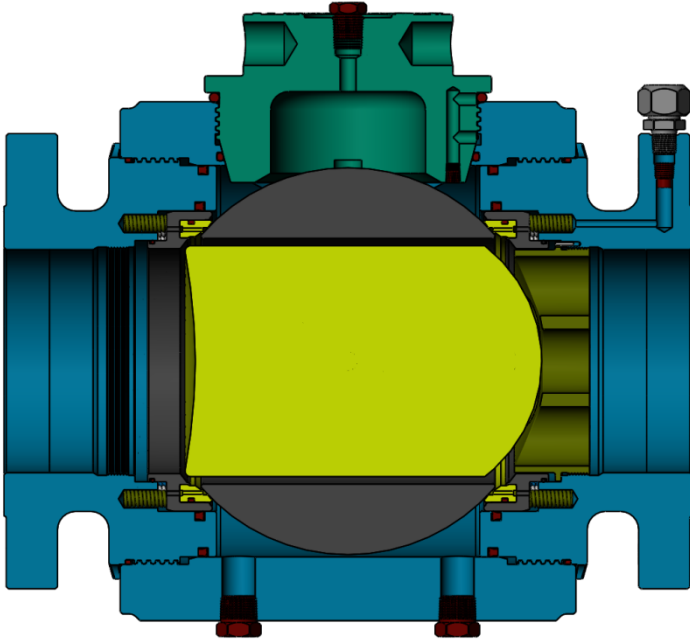




ARGUS MACHINE CO. LTD.
5820 – 97 Street
Edmonton, Alberta, T6E 3J1
Ph: 780-434-9451
Fax: 780-434-9909
www.argusmachine.com

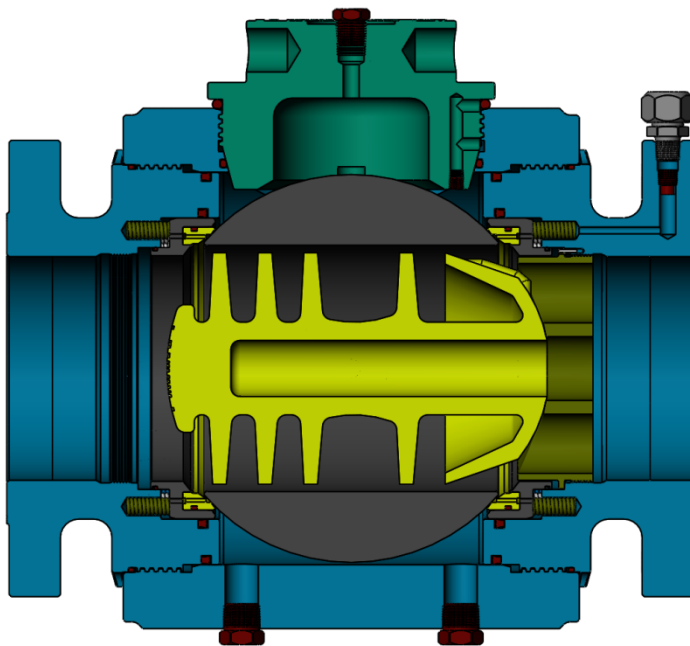
Technical Bulletin: TB-PV-001
Revision: 04
ECN: 01612
Effective Date: September 23, 2015
Prepared By: Allan Bazin
Approved By: Jason Weiss

Argus (Model 'F', 'P' & 'C') Pig Valves - Bullet Pigs



BULLET STYLE PIGS (FOAM)

| Valve Size | Maximum Pig Length |
|---------------------------|--------------------|
| 2" (Model 'F') | 4 1/16" |
| 3" (Model 'F' & 'P') | 5 1/16" |
| 4" (Model 'C', 'F' & 'P') | 6 11/16" |
| 6" (Model 'P') | 9 1/8" |
| 8" (Model 'P') | 13 3/16" |



CUP & DISK STYLE PIGS (POLY / CAST)

| Valve Size | Argus Pig Length |
|---------------------------|------------------|
| 2" (Model 'F') | 4 1/2" |
| 3" (Model 'F' & 'P') | 5 3/4" |
| 4" (Model 'F', 'P' & 'C') | 7 1/2" |
| 6" (Model 'P') | 10 7/16" |
| 8" (Model 'P') | 14 3/4" |

Note 'A':

Argus pigs are designed with a spherical knob on the tail end to allow protrusion past the flat surface of the ball. Pigs without this feature must not protrude as it may cause damage to seats when operating valve.