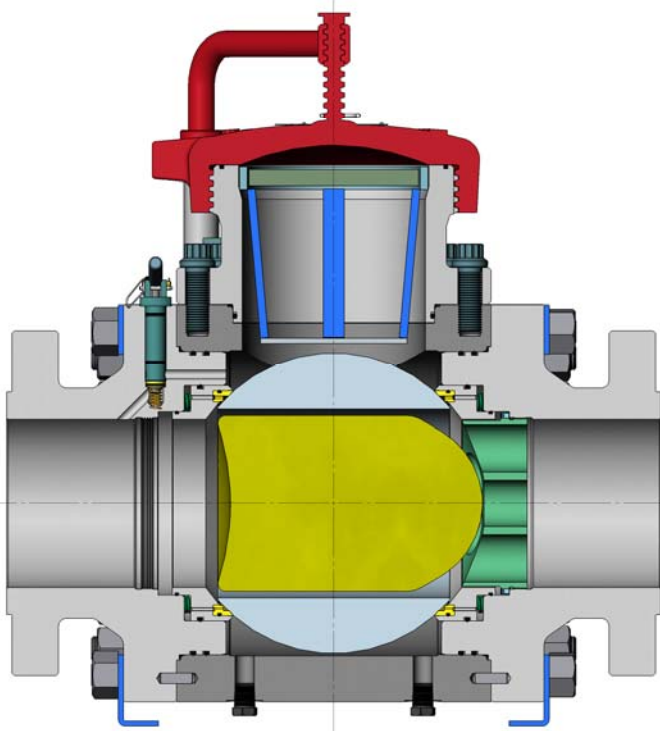




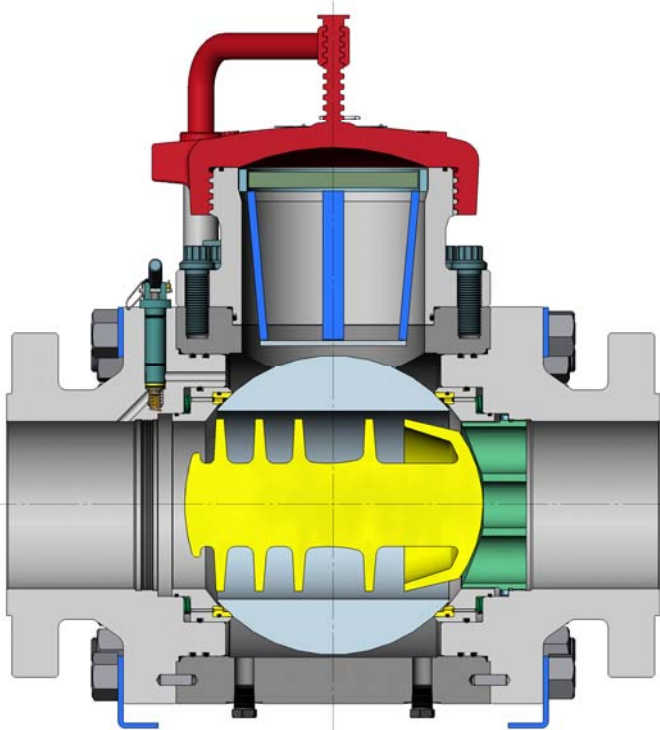
ARGUS MACHINE CO. LTD.
 5820 – 97 Street
 Edmonton, Alberta, T6E 3J1
 Ph: 780-434-9451
 Fax: 780-434-9909
www.argusmachine.com

Technical Bulletin: TB-PV-031
 Revision: 03
 ECN: 01442
 Effective Date: April 17, 2013
 Prepared By: J. Weiss
 Approved By: Jason Weiss

Argus Model 'D' Pig Valve - Bullet Pigs



BULLET STYLE PIGS (FOAM)	
<i>Valve Size</i>	<i>Maximum Pig Length</i>
6" (Model 'D')	9 1/2"
8" (Model 'P')	13 3/16"
8" (Model 'D')	12 5/8"
10" (Model 'D')	15 1/4"
12" (Model 'D')	17 11/16"
16" (Model 'D')	21 13/16"



CUP & DISK STYLE PIGS (POLY / CAST)		
<i>Valve Size</i>	<i>Argus Pig Length (As Pictured)</i>	<i>Maximum Pig Length (Other)</i>
6" (Model 'D')	10 1/2"	9 1/2"
8" (Model 'P')	14 3/4"	13 3/16"
8" (Model 'D')	14 1/4"	12 5/8"
10" (Model 'D')	17 1/4"	15 1/4"
12" (Model 'D')	20"	17 11/16"

Note 'A': Argus pigs are designed with a spherical knob on the tail end to allow protrusion past the flat surface of the ball. Pigs without this feature must not protrude as it may cause damage to seats when operating valve.

Specifications Are Subject to Change Without Prior Notice