



**ARGUS CEMENT HEADS
FEATURES AND GENERAL SPECIFICATIONS**

Document No.:
TB-CH-071

Rev.
02

STANDARD FEATURES:

- Major components are manufactured from forged, wrought or rolled alloy steel
- Hydrostatically pressure tested to 150% of Maximum Allowable Working Pressure (MAWP)
- Integral one-piece body construction
- Removable cap with coarse stub acme thread, O-ring seal and operating wrench
- 2" Figure 1502 hammer union manifold inlets
- 2" Figure 1502 hammer union extra fitting with blind plug
- Argus Retractable Pin plug release assembly
 - Heavy duty construction
 - Internal retraction – no exposed threads
 - Multi-start threads for quick operation
 - Spring-loaded lock pin to prevent premature plug release
- Replaceable bottom sub with API or Premium threaded connection
 - Model SSF, HPC and HPD with Argus Quik-Connekt adapter
 - Model SSA with casing saver nipple
 - Model DPA with rotary sub
- Model HPC and HPD use free-falling plug design (maximum plug OD should be no more than $\text{ØA}-1/4"$)
- Model SSA and SSF have a by-pass vent rod in the body to prevent pressure vacuum on top of the plug when pumping

AVAILABLE OPTIONS:

- Top drive cap with rotary shouldered connection box threads
- 2" Figure 1502 hammer union manifold (Female inlet, male outlets)
- Quarter-turn low torque plug valves
- Argus Rotary Collapsible Plug Pass Indicator
- Argus Wireline Plug Pass Indicator

OTHER:

- Models SSA, SSF, HPC and HPD are not designed to lift or rotate while under pressure
- Model DPA is designed to lift and rotate while under pressure (Refer to Technical Bulletins for lifting capacity)
- API thread License 5CT-0301 (Edmonton), 5CT-0579 (Nisku)
- Contact Argus Sales for any premium thread inquiries

**Specifications are subject to change without prior notice
All dimensions are inch (mm)**



**ARGUS CEMENT HEADS
 FEATURES AND GENERAL SPECIFICATIONS**

Document No.:
TB-CH-071

Rev.
02

MODEL HPC:

- 4 1/2" (114.3 mm) thru 20" (508.0 mm)
- Single plug configuration
- Wrench style cap with 2" Figure 1502 hammer union fitting (tapered nose with O-ring seal)
- 2" Figure 1502 hammer union lifting plug with swivel shackle (for lifting cement head only)
- Operating wrench for cap and AQC nut
- Argus Quik-Connekt Adapter (AQC)
- Replaceable AQC bottom sub
 - API SC casing pin standard on lower connection
 - API LC or BC casing pin available on request
 - Premium casing pin available on request
- Free-falling plug design
 - Maximum plug OD = ØA - 1/4"

MODEL HPD:

- 4 1/2" (114.3 mm) thru 20" (508.0 mm)
- Double plug configuration
- Wrench style cap with 2" Figure 1502 hammer union fitting (tapered nose with O-ring seal)
- 2" Figure 1502 hammer union lifting plug with swivel shackle (for lifting cement head only)
- Operating wrench for cap and AQC nut
- Argus Quik-Connekt Adapter (AQC)
- Replaceable AQC bottom sub
 - API SC casing pin standard on lower connection
 - API LC or BC casing pin available on request
 - Premium casing pin available on request
- Free-falling plug design
 - Maximum plug OD = ØA - 1/4"

MODEL SSA:

- 4 1/2" (114.3 mm) thru 13 3/8" (339.7 mm)
- Single plug configuration
- Wrench style cap with 2" Figure 1502 hammer union fitting (parallel nose with O-ring seal)
- 2" Figure 1502 hammer union lifting plug with swivel shackle (for lifting cement head only)
- Operating wrench for cap
- Replaceable casing saver nipple
 - API SC casing pin standard on lower connection
 - API LC or BC casing pin available on request
 - Premium casing pin available on request
- By-pass vent rod in body to prevent vacuum on plug

MODEL SSF:

- 4 1/2" (114.3 mm) thru 13 3/8" (339.7 mm)
- Single plug configuration
- Wrench style cap with 2" Figure 1502 hammer union fitting (parallel nose with O-ring seal)
- 2" Figure 1502 hammer union lifting plug with swivel shackle (for lifting cement head only)
- Operating wrench for cap and AQC nut
- Argus Quik-Connekt Adapter (AQC)
- Replaceable AQC bottom sub
 - API SC casing pin standard on lower connection
 - API LC or BC casing pin available on request
 - Premium casing pin available on request
- By-pass vent rod in body to prevent vacuum on plug

MODEL DPA:

- 3 1/2" (88.9 mm), 4" (101.6 mm) and 4 1/2" (114.3 mm)
- Single plug configuration
- Lifting sub with combination elevator shoulder (parallel nose with O-ring seal)
- Rotary lower swivel
- Replaceable bottom sub
 - API rotary pin standard on lower connection
 - Premium rotary pin available on request
 - Customer shall specify connection on P.O.
- Lift capacity is rated on the lifting sub and bottom sub configuration (Refer to the applicable Argus Engineering Technical Bulletin for more information)

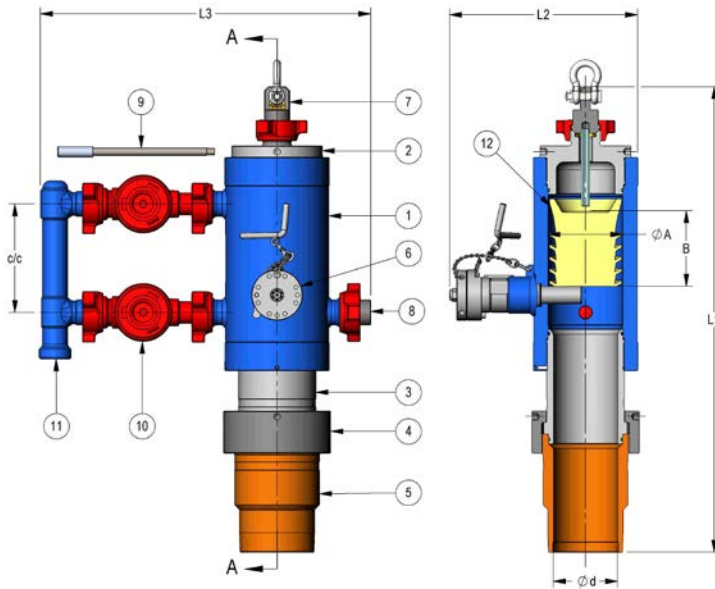
**Specifications are subject to change without prior notice
 All dimensions are inch (mm)**



**ARGUS CEMENT HEADS
 FEATURES AND GENERAL SPECIFICATIONS**

Document No.:
TB-CH-071

Rev.
02



MODEL HPC CEMENT HEAD			
ITEM	QTY	DESCRIPTION	REMARKS
1	1	Body	
2	1	Cap	
3	1	Top Sub, AQC	
4	1	Nut, AQC	
5	1	Bottom Sub, AQC	Sold separately
6	1	Retractable Pin	
7	1	Lifting Plug	
8	1	Blind Plug	
9	1	Operating Wrench	
10	2	Plug Valve	Sold separately
11	1	Manifold	Sold separately
12	1	Cementing Plug	Supplied by others

CEMENT HEAD SIZE	ASSEMBLY ITEM NUMBER	MAWP	MANIFOLD c/c	PLUG CHAMBER		MINIMUM BORE	LENGTH			ASSEMBLED WEIGHT ⁽¹⁾
				Ø A	B		Ø d	L1 ⁽⁴⁾	L2	
		PSI (MPa)	INCH (mm)	INCH (mm)	INCH (mm)	INCH (mm)	INCH (mm)	INCH (mm)	INCH (mm)	LBS (kgs)
4 1/2"	C3000208	10,000 (68.9)	17 (431.8)	4.50 (114.3)	12.75 (323.9)	3.75 (95.3)	63.03 (1600.9)	19.79 (502.7)	36.90 (937.3)	461 (209)
5"	TBA	---	---	---	---	---	---	---	---	---
5 1/2"	C3000209	10,000 (68.9)	17 (431.8)	5.50 (139.7)	12.75 (323.9)	4.50 (114.3)	63.03 (1600.9)	19.81 (503.2)	38.14 (968.8)	575 (261)
6 5/8"	TBA	---	---	---	---	---	---	---	---	---
7"	C3000213	10,000 (68.9)	17 (431.8)	7.00 (177.8)	12.75 (323.9)	5.82 (147.8)	63.65 (1616.8)	21.65 (549.8)	39.86 (1012.5)	770 (349)
7 5/8"	C3000216	7,500 (51.7)	17 (431.8)	7.62 (193.5)	12.75 (323.9)	6.37 (161.8)	64.15 (1629.5)	21.78 (553.2)	40.14 (1019.6)	736 (334)
8 5/8"	C3000214	7,500 (51.7)	17 (431.8)	8.62 (218.9)	12.75 (323.9)	7.43 (188.7)	64.28 (1632.7)	22.78 (578.6)	41.14 (1045.0)	799 (362)
9 5/8"	C3000210	7,500 (51.7)	17 (431.8)	9.62 (244.3)	12.75 (323.9)	8.52 (216.4)	64.28 (1632.7)	24.13 (612.8)	42.33 (1075.2)	957 (434)
10 3/4"	C3000222	5,000 (34.5)	17 (431.8)	10.75 (273.1)	12.75 (323.9)	9.35 (237.5)	64.40 (1635.9)	24.07 (611.4)	43.01 (1092.5)	855 (388)
11 3/4"	TBA	---	---	---	---	---	---	---	---	---
13 3/8"	C3000211	5,000 (34.5)	17 (431.8)	13.37 (339.6)	12.75 (323.9)	12.09 (307.1)	64.40 (1635.9)	27.68 (703.1)	45.97 (1167.7)	1277 (579)
16"	C3000206	4,000 (27.6)	29 (736.6)	16.00 (406.4)	24.75 (628.7)	15.00 (381.0)	83.78 (2128.0)	31.56 (801.5)	48.33 (1227.6)	1825 (828)
18 5/8"	C3000224	4,000 ⁽²⁾ (27.6)	29 (736.6)	19.87 (504.7)	24.75 (628.7)	17.37 (441.2)	84.83 (2154.7)	36.62 (930.2)	52.77 (1340.3)	3020 (1370)
20"	C3000225	3,000 ⁽³⁾ (20.7)	29 (736.6)	19.87 (504.7)	24.75 (628.7)	17.75 (450.9)	84.83 (2154.7)	36.62 (930.2)	52.77 (1340.3)	3020 (1370)

(1) Weight is based on cement head only (no bottom sub, plug valves or manifold)
 (2) 4,000 PSI MAWP with API BC bottom sub, 2,500 PSI MAWP with API SC bottom sub
 (3) 3,000 PSI MAWP with API BC bottom sub, 2,850 PSI MAWP with API LC bottom sub, 2,500 PSI MAWP with API SC bottom sub
 (4) Based on AQC bottom sub with API SC pin (with one pin re-cut allowance)

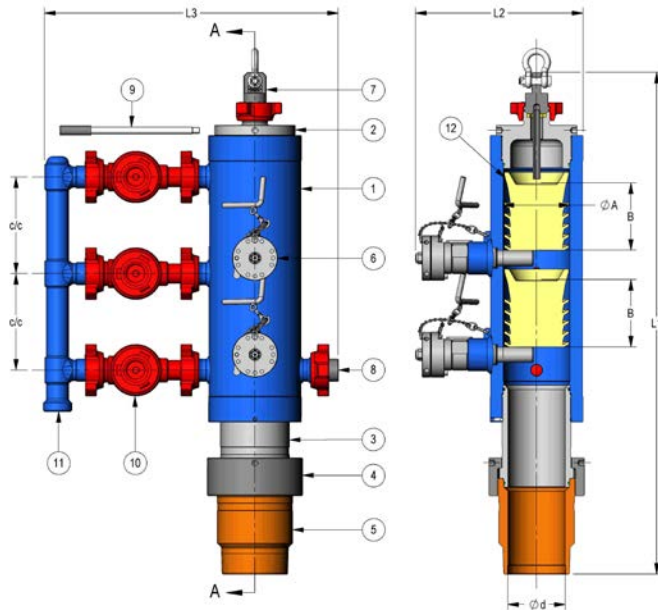
**Specifications are subject to change without prior notice
 All dimensions are inch (mm)**



**ARGUS CEMENT HEADS
 FEATURES AND GENERAL SPECIFICATIONS**

Document No.:
TB-CH-071

Rev.
02



MODEL HPD CEMENT HEAD			
ITEM	QTY	DESCRIPTION	REMARKS
1	1	Body	
2	1	Cap	
3	1	Top Sub, AQC	
4	1	Nut, AQC	
5	1	Bottom Sub, AQC	Sold separately
6	2	Retractable Pin	
7	1	Lifting Plug	
8	1	Blind Plug	
9	1	Operating Wrench	
10	3	Plug Valve	Sold separately
11	1	Manifold	Sold separately
12	1	Cementing Plug	Supplied by others

CEMENT HEAD SIZE	ASSEMBLY ITEM NUMBER	MAWP	MANIFOLD c/c	PLUG CHAMBER		MINIMUM BORE	LENGTH			ASSEMBLED WEIGHT ⁽¹⁾
				Ø A	B		Ø d	L1 ⁽⁴⁾	L2	
		PSI (MPa)	INCH (mm)	INCH (mm)	INCH (mm)	INCH (mm)	INCH (mm)	INCH (mm)	INCH (mm)	LBS (kgs)
4 1/2"	C3000226	10,000 (68.9)	17 (431.8)	4.50 (114.3)	12.75 (323.9)	3.75 (95.3)	80.03 (2032.7)	19.79 (502.7)	36.90 (937.3)	669 (303)
5"	TBA	---	---	---	---	---	---	---	---	---
5 1/2"	C3000204	10,000 (68.9)	17 (431.8)	5.50 (139.7)	12.75 (323.9)	4.50 (114.3)	80.03 (2032.7)	19.81 (503.2)	38.14 (968.8)	831 (377)
6 5/8"	TBA	---	---	---	---	---	---	---	---	---
7"	C3000227	10,000 (68.9)	17 (431.8)	7.00 (177.8)	12.75 (323.9)	5.82 (147.8)	80.65 (2048.6)	21.65 (549.8)	39.86 (1012.5)	1093 (496)
7 5/8"	C3000220	7,500 (51.7)	17 (431.8)	7.62 (193.5)	12.75 (323.9)	6.37 (161.8)	81.15 (2061.3)	21.78 (553.2)	40.14 (1019.6)	1022 (464)
8 5/8"	C3000228	7,500 (51.7)	17 (431.8)	8.62 (218.9)	12.75 (323.9)	7.43 (188.7)	81.28 (2064.5)	22.78 (578.6)	41.14 (1045.0)	1113 (505)
9 5/8"	C3000205	7,500 (51.7)	17 (431.8)	9.62 (244.3)	12.75 (323.9)	8.52 (216.4)	81.28 (2064.5)	24.13 (612.8)	42.33 (1075.2)	1331 (604)
10 3/4"	C3000219	5,000 (34.5)	17 (431.8)	10.75 (273.1)	12.75 (323.9)	9.35 (237.5)	81.40 (2067.7)	24.07 (611.4)	43.01 (1092.5)	1166 (529)
11 3/4"	TBA	---	---	---	---	---	---	---	---	---
13 3/8"	C3000218	5,000 (34.5)	17 (431.8)	13.37 (339.6)	12.75 (323.9)	12.09 (307.1)	81.40 (2067.7)	27.68 (703.1)	45.97 (1167.7)	1726 (783)
16"	C3000243	4,000 (27.6)	29 (736.6)	16.00 (406.4)	24.75 (628.7)	15.00 (381.0)	112.78 (2864.6)	31.56 (801.5)	48.33 (1227.6)	2533 (1149)
18 5/8"	C3000231	4,000 ⁽²⁾ (27.6)	29 (736.6)	19.87 (504.7)	24.75 (628.7)	17.37 (441.2)	113.83 (2891.3)	36.62 (930.2)	52.77 (1340.3)	4206 (1908)
20"	C3000232	3,000 ⁽³⁾ (20.7)	29 (736.6)	19.87 (504.7)	24.75 (628.7)	17.75 (450.9)	113.83 (2891.3)	36.62 (930.2)	52.77 (1340.3)	4206 (1908)

(1) Weight is based on cement head only (no bottom sub, plug valves or manifold)
 (2) 4,000 PSI MAWP with API BC bottom sub, 2,500 PSI MAWP with API SC bottom sub
 (3) 3,000 PSI MAWP with API BC bottom sub, 2,850 PSI MAWP with API LC bottom sub, 2,500 PSI MAWP with API SC bottom sub
 (4) Based on AQC bottom sub with API SC pin (with one pin re-cut allowance)

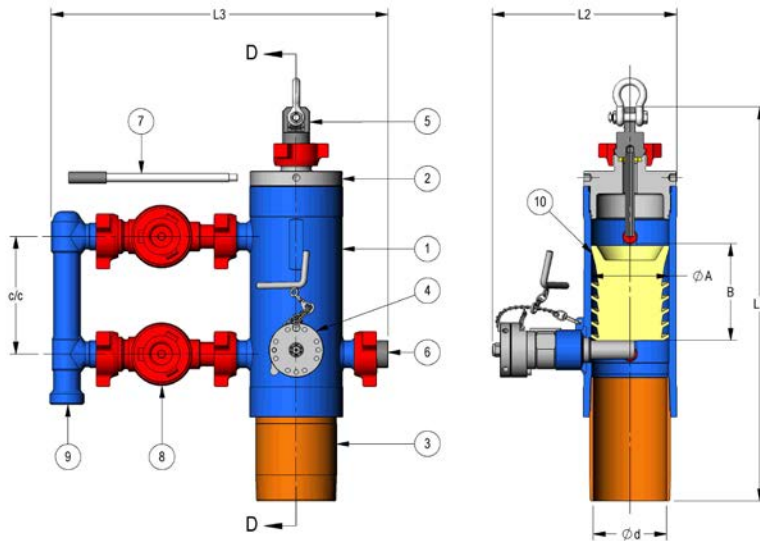
**Specifications are subject to change without prior notice
 All dimensions are inch (mm)**



**ARGUS CEMENT HEADS
 FEATURES AND GENERAL SPECIFICATIONS**

Document No.:
TB-CH-071

Rev.
02



MODEL SSA CEMENT HEAD			
ITEM	QTY	DESCRIPTION	REMARKS
1	1	Body	
2	1	Cap	
3	1	Casing Saver Nipple	Sold separately
4	1	Retractable Pin	
5	1	Lifting Plug	
6	1	Blind Plug	
7	1	Operating Wrench	
8	2	Plug Valve	Sold separately
9	1	Manifold	Sold separately
10	1	Cementing Plug	Supplied by Others

CEMENT HEAD SIZE	ASSEMBLY ITEM NUMBER	MAWP PSI (MPa)	MANIFOLD c/c INCH (mm)	PLUG CHAMBER		MINIMUM BORE Ø d INCH (mm)	LENGTH			ASSEMBLED WEIGHT ⁽¹⁾ LBS (kgs)
				Ø A INCH (mm)	B INCH (mm)		L1 ⁽²⁾ INCH (mm)	L2 INCH (mm)	L3 INCH (mm)	
4 1/2"	C3000001	7,000 (48.3)	14 (355.6)	4.33 (110.0)	9.75 (247.7)	3.83 (97.3)	44.65 (1134.2)	18.13 (460.4)	35.00 (889.0)	233 (106)
5"	C3000002	6,400 (44.1)	14 (355.6)	4.83 (122.7)	9.75 (247.7)	4.13 (104.9)	47.53 (1207.2)	18.63 (473.1)	35.50 (901.7)	241 (109)
5 1/2"	C3000003	5,800 (40.0)	14 (355.6)	5.33 (135.4)	9.75 (247.7)	4.67 (118.6)	47.40 (1204.1)	19.13 (485.8)	36.00 (914.4)	258 (117)
6 5/8"	C3000004	5,000 (34.5)	14 (355.6)	6.31 (160.3)	9.75 (247.7)	5.79 (147.1)	47.53 (1207.2)	18.97 (481.8)	37.12 (942.9)	302 (137)
7"	C3000005	5,000 (34.5)	14 (355.6)	6.75 (171.5)	9.75 (247.7)	6.09 (154.7)	47.40 (1204.1)	19.57 (497.1)	37.58 (954.5)	313 (142)
7 5/8"	C3000006	4,400 (30.3)	14 (355.6)	7.31 (185.7)	9.75 (247.7)	6.77 (172.0)	47.28 (1200.9)	19.97 (507.3)	38.12 (968.3)	321 (146)
8 5/8"	C3000007	4,400 (30.3)	14 (355.6)	8.31 (211.1)	9.75 (247.7)	7.73 (196.3)	47.15 (1197.7)	20.97 (532.6)	39.12 (993.7)	357 (162)
9 5/8"	C3000008	3,700 (25.5)	14 (355.6)	9.31 (236.5)	9.75 (247.7)	8.76 (222.5)	47.15 (1197.7)	22.09 (561.1)	40.11 (1018.8)	383 (174)
10 3/4"	C3000261	3,400 (23.4)	18 (457.2)	10.33 (262.4)	13.75 (349.3)	10.05 (255.3)	47.90 (1216.8)	22.97 (583.5)	41.12 (1044.5)	400 (181)
11 3/4"	C3000153	3,100 (21.4)	18 (457.2)	11.33 (287.8)	13.75 (349.3)	10.77 (273.6)	47.90 (1216.8)	23.97 (608.8)	42.12 (1069.9)	430 (195)
13 3/8"	C3000262	3,100 (21.4)	18 (457.2)	13.00 (330.2)	13.75 (349.3)	12.35 (313.7)	47.90 (1216.8)	25.81 (655.6)	43.96 (1116.6)	541 (245)

(1) Weight is based on cement head only (no casing saver nipple, plug valves or manifold)
 (2) Based on casing saver nipple with API SC pin (with one pin re-cut allowance)

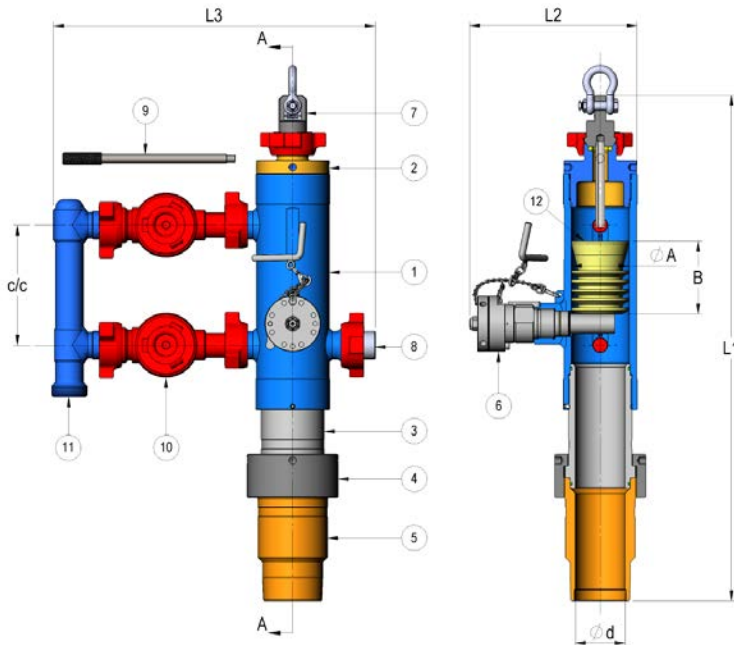
**Specifications are subject to change without prior notice
 All dimensions are inch (mm)**



**ARGUS CEMENT HEADS
 FEATURES AND GENERAL SPECIFICATIONS**

Document No.:
TB-CH-071

Rev.
02



MODEL SSF CEMENT HEAD			
ITEM	QTY	DESCRIPTION	REMARKS
1	1	Body	
2	1	Cap	
3	1	Top Sub, AQC	
4	1	Nut, AQC	
5	1	Bottom Sub, AQC	Sold separately
6	1	Retractable Pin	
7	1	Lifting Plug	
8	1	Blind Plug	
9	1	Operating Wrench	
10	2	Plug Valve	Sold separately
11	1	Manifold	Sold separately
12	1	Cementing Plug	Supplied by others

CEMENT HEAD SIZE	ASSEMBLY ITEM NUMBER	MAWP PSI (MPa)	MANIFOLD c/c INCH (mm)	PLUG CHAMBER		MINIMUM BORE Ø d INCH (mm)	LENGTH			ASSEMBLED WEIGHT ⁽¹⁾ LBS (kgs)
				Ø A	B		L1 ⁽²⁾	L2	L3	
				INCH (mm)	INCH (mm)		INCH (mm)	INCH (mm)	INCH (mm)	
4 1/2"	C3000052	7,000 (48.3)	14 (355.6)	4.33 (110.0)	9.75 (247.7)	3.75 (95.3)	59.96 (1523.0)	18.13 (460.4)	35.00 (889.0)	298 (135)
5"	TBA	---	---	---	---	---	---	---	---	---
5 1/2"	C3000056	5,800 (40.0)	14 (355.6)	5.33 (135.4)	9.75 (247.7)	4.50 (114.3)	59.96 (1523.0)	19.13 (485.8)	36.00 (914.4)	337 (153)
6 5/8"	TBA	---	---	---	---	---	---	---	---	---
7"	C3000057	5,000 (34.5)	14 (355.6)	6.75 (171.5)	9.75 (247.7)	5.82 (147.8)	60.59 (1539.0)	19.57 (497.1)	37.58 (954.5)	456 (207)
7 5/8"	TBA	---	---	---	---	---	---	---	---	---
8 5/8"	TBA	---	---	---	---	---	---	---	---	---
9 5/8"	C3000062	3,700 (25.5)	14 (355.6)	9.31 (236.5)	9.75 (247.7)	8.52 (216.4)	61.48 (1561.6)	22.09 (561.1)	40.11 (1018.8)	581 (264)
10 3/4"	TBA	---	---	---	---	---	---	---	---	---
11 3/4"	TBA	---	---	---	---	---	---	---	---	---
13 3/8"	C3000266	3,100 (21.4)	18 (457.2)	13.00 (330.2)	13.75 (349.3)	12.09 (307.1)	61.60 (1564.6)	25.81 (655.6)	43.96 (1116.6)	919 (417)

(1) Weight is based on cement head only (no AQC Bottom Sub, plug valves or manifold)
 (2) Based on AQC bottom sub with API SC pin (with one pin re-cut allowance)

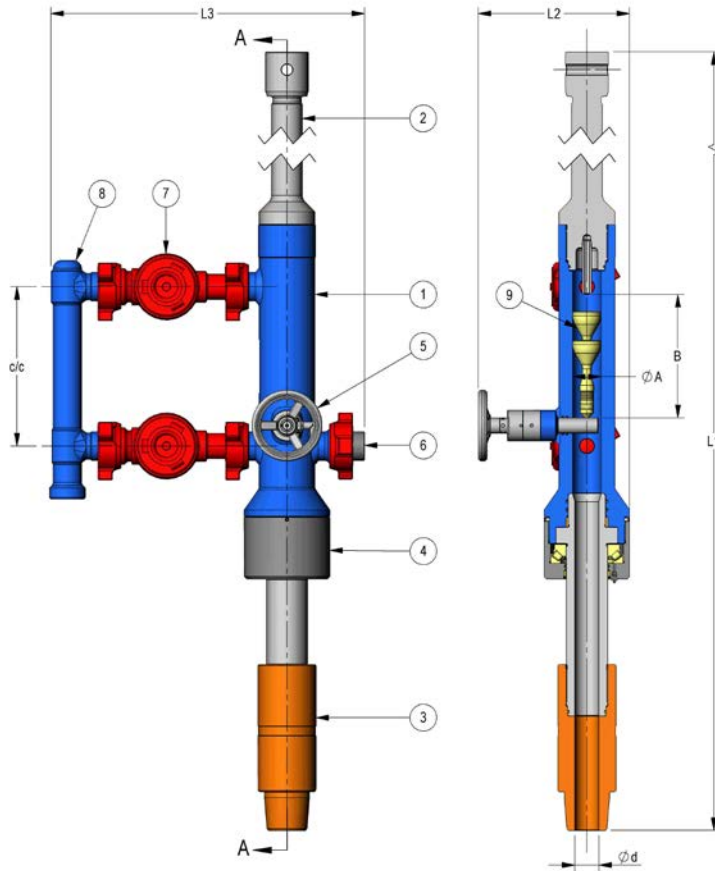
**Specifications are subject to change without prior notice
 All dimensions are inch (mm)**



**ARGUS CEMENT HEADS
 FEATURES AND GENERAL SPECIFICATIONS**

Document No.:
TB-CH-071

Rev.
02



MODEL DPA CEMENT HEAD			
ITEM	QTY	DESCRIPTION	REMARKS
1	1	Body	
2	1	Lifting Sub	
3	1	Bottom Sub	Sold separately
4	1	Rotary Swivel	
5	1	Retractable Pin	
6	1	Blind Plug	
7	2	Plug Valve	Sold separately
8	1	Manifold	Sold separately
9	1	Liner Wiper Plug	Supplied by others

1. Designed for lifting and/or rotating while under pressure
2. Refer to Argus Engineering bulletins for lifting capacities
3. Longer plug sizes available on request

CEMENT HEAD SIZE	ASSEMBLY ITEM NUMBER	MAWP	MANIFOLD c/c	PLUG CHAMBER		MINIMUM BORE	LENGTH			ASSEMBLED WEIGHT ⁽¹⁾
				Ø A	B		L1 ⁽³⁾	L2	L3	
				INCH (mm)	INCH (mm)		INCH (mm)	INCH (mm)	INCH (mm)	
3 1/2"	C4200003	10,000 (68.9)	18 (457.2)	3.25 (82.6)	14.00 (355.6)	2.75 (69.9)	96.56 (2452.6)	17.25 (438.2)	35.72 (907.3)	577 (262)
4"	C4200013	10,000 (68.9)	18 (457.2)	3.25 (82.6)	14.00 (355.6)	2.75 (69.9)	94.06 (2389.1)	17.25 (438.2)	35.72 (907.3)	571 (259)
4 1/2"	C4200004	10,000 (68.9)	18 (457.2)	3.25 (82.6)	14.00 (355.6)	2.75 (69.9)	96.56 (2452.6)	17.25 (438.2)	35.72 (907.3)	594 (269)

(1) Weight is based on cement head only (no bottom sub, plug valves or manifold)
 (2) Minimum bore is based on NC38 Pin for 3 1/2", NC40 for 4", NC50 for 4 1/2" (May vary with rotary connection)
 (3) Based on bottom sub with rotary connection pin as per note 2 (with one pin re-cut allowance)

**Specifications are subject to change without prior notice
 All dimensions are inch (mm)**