

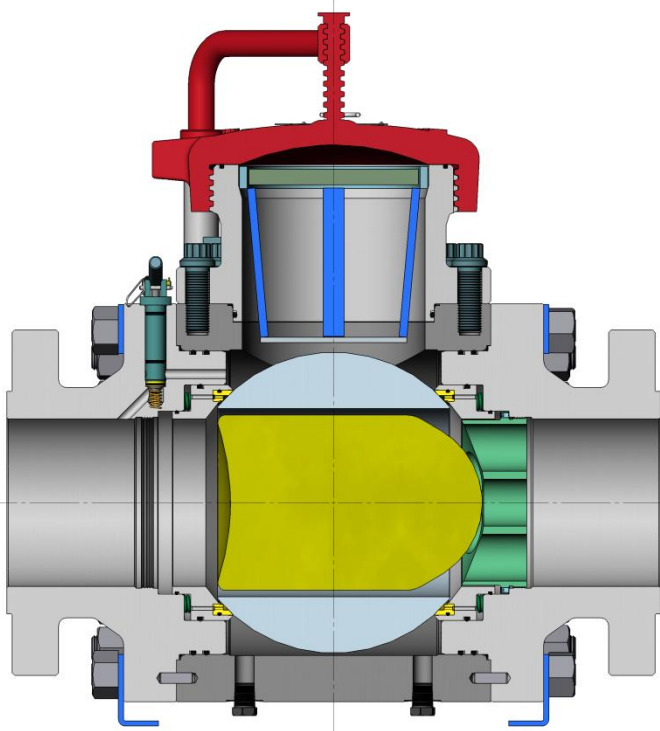


ARGUS MACHINE CO. LTD.

5820 – 97 Street
 Edmonton, Alberta, T6E 3J1
 Ph: 780-434-9451
 Fax: 780-434-9909
www.argusmachine.com

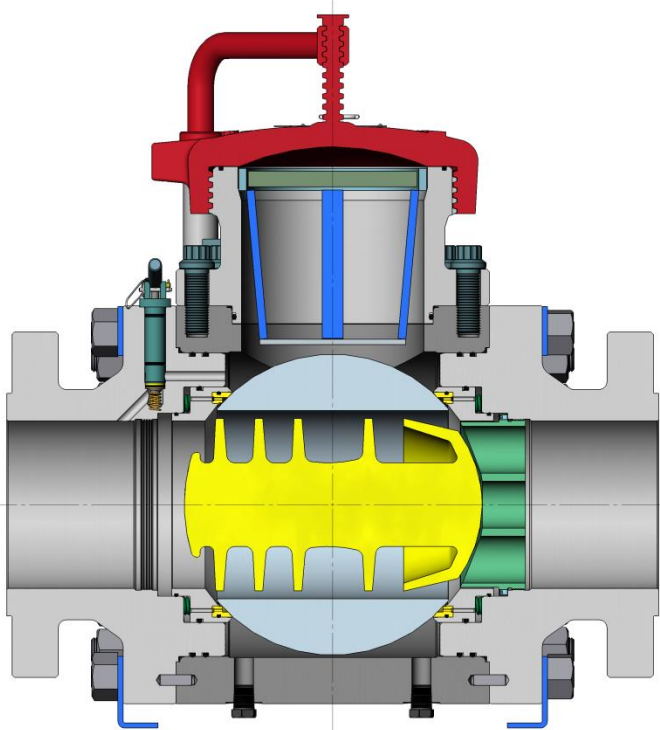
Technical Bulletin: TB-PV-031
 Revision: 4
 ECN: 02367
 Effective Date: 15 Mar 2019
 Prepared By: S.L.
 Approved By: K.W.

Argus Model D Pig Valve - Bullet Pigs



BULLET STYLE PIGS (FOAM)

Valve Size	Maximum Pig Length
6" (Model D)	9 1/2"
8" (Model P)	13 3/16"
8" (Model D)	12 5/8"
10" (Model D)	15 1/4"
12" (Model D)	17 11/16"
16" (Model D)	21 13/16"



CUP & DISK STYLE PIGS (POLY / CAST)

Valve Size	Argus Pig Length (As Pictured)	Maximum Pig Length (Other)
6" (Model D)	10 1/2"	9 1/2"
8" (Model P)	14 3/4"	13 3/16"
8" (Model D)	14 1/4"	12 5/8"
10" (Model D)	17 1/4"	15 1/4"
12" (Model D)	20"	17 11/16"
16" (Model D)	24 5/8"	21 13/16"

Note: Argus pigs are designed with a spherical knob on the tail end to allow protrusion past the flat surface of the ball. Pigs without this feature must not protrude as it may cause damage to seats when operating valve.

Specifications Are Subject to Change Without Prior Notice