

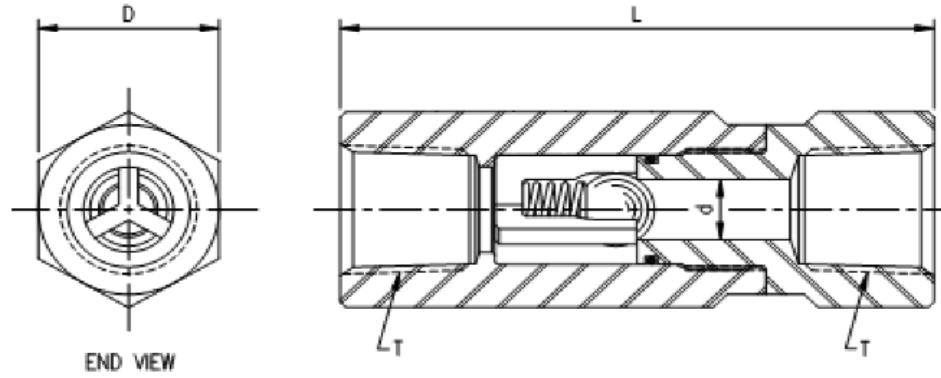


ARGUS MACHINE CO. LTD.

5820 - 97 Street
 Edmonton, Alberta T6E 3J1
 Ph: (780) 434-9451
 Fax: (780) 434-9909
www.argusmachine.com

Technical Bulletin: TB-CV-001
 Revision: 03
 ECN: 02447
 Effective Date: December 12, 2019
 Prepared By: Jan Krol
 Approved By: Karl Wolter

Argus In-Line Ball Check Valve - General Specifications



NOM. SIZE	ARGUS MODEL No.	ASSEMBLY DWG. No.	'T' END CONNECTION	MAWP (psi)	DIMENSIONS			MATERIAL GRADE	WEIGHT (lbs)	
					'D' O.D.		'L'			
					HEXAGON	ROUND				'd' I.D. ORIFICE
1/4"	FFBDL-025	CVA-025-000	1/4" FNPT	3000	1"	-----	1/4"	3 1/8"	AISI 1018/8620 Steel	0.3
	FFBFL-025	CVE-025-000	1/4" FNPT	6000	1 1/8"	-----	1/4"	3 5/8"	AISI 1018/8620 Steel	1.0
	FFBEL-025	CVB-025-000	1/4" FNPT	10,000	1 3/8"	-----	1/4"	3 7/8"	AISI 1018/8620 Steel	1.6
	FFBDS-025	CVC-025-000	1/4" FNPT	3000	1"	-----	1/4"	3 1/8"	AISI 316 Stainless Steel	0.3
	FFBFS-025	CVF-025-000	1/4" FNPT	6000	1 1/8"	-----	1/4"	3 5/8"	AISI 316 Stainless Steel	1.0
	FFBES-025	CVD-025-000	1/4" FNPT	10,000	1 3/8"	-----	1/4"	3 7/8"	AISI 316 Stainless Steel	1.6
3/8"	FFBDL-037	CVA-037-000	3/8" FNPT	3000	1 1/8"	-----	3/8"	4 1/2"	AISI 1018/8620 Steel	0.3
	FFBFL-037	CVE-037-000	3/8" FNPT	6000	1 3/8"	-----	3/8"	4 7/8"	AISI 1018/8620 Steel	1.9
	FFBEL-037	CVB-037-000	3/8" FNPT	10,000	1 3/4"	-----	3/8"	5 1/8"	AISI 1018/8620 Steel	3.4
	FFBDS-037	CVC-037-000	3/8" FNPT	3000	1 1/8"	-----	3/8"	4 1/2"	AISI 316 Stainless Steel	1.1
	FFBFS-037	CVF-037-000	3/8" FNPT	6000	1 3/8"	-----	3/8"	4 7/8"	AISI 316 Stainless Steel	2.0
	FFBES-037	CVD-037-000	3/8" FNPT	10,000	1 3/4"	-----	3/8"	5 1/8"	AISI 316 Stainless Steel	3.4
1/2"	FFBDL-050	CVA-050-000	1/2" FNPT	3000	1 1/4"	-----	3/8"	4 1/2"	AISI 1018/8620 Steel	1.3
	FFBFL-050	CVE-050-000	1/2" FNPT	6000	1 3/8"	-----	3/8"	4 7/8"	AISI 1018/8620 Steel	1.8
	FFBEL-050	CVB-050-000	1/2" FNPT	10,000	1 3/4"	-----	3/8"	5 1/8"	AISI 1018/8620 Steel	3.3
	FFBDS-050	CVC-050-000	1/2" FNPT	3000	1 1/4"	-----	3/8"	4 1/2"	AISI 316 Stainless Steel	1.3
	FFBFS-050	CVF-050-000	1/2" FNPT	6000	1 3/8"	-----	3/8"	4 7/8"	AISI 316 Stainless Steel	1.9
	FFBES-050	CVD-050-000	1/2" FNPT	10,000	1 3/4"	-----	3/8"	5 1/8"	AISI 316 Stainless Steel	3.3
3/4"	FFBDL-075	CVA-075-000	3/4" FNPT	3000	1 1/2"	-----	1/2"	5"	AISI 1018/8620 Steel	2.0
	FFBFL-075	CVE-075-000	3/4" FNPT	6000	1 3/4"	-----	1/2"	5 1/4"	AISI 1018/8620 Steel	3.1
	FFBEL-075	CVB-075-000	3/4" FNPT	10,000	2 1/2"	-----	1/2"	5 3/4"	AISI 1018/8620 Steel	7.9
	FFBDS-075	CVC-075-000	3/4" FNPT	3000	1 1/2"	-----	1/2"	5"	AISI 316 Stainless Steel	2.1
	FFBFS-075	CVF-075-000	3/4" FNPT	6000	1 3/4"	-----	1/2"	5 1/4"	AISI 316 Stainless Steel	3.2
	FFBES-075	CVD-075-000	3/4" FNPT	10,000	2 1/2"	-----	1/2"	5 3/4"	AISI 316 Stainless Steel	7.9
1"	FFBDL-100	CVA-100-000	1" FNPT	3000	1 7/8"	-----	5/8"	5 3/4"	AISI 1018/8620 Steel	3.6
	FFBFL-100	CVE-100-000	1" FNPT	6000	2"	-----	5/8"	6 1/8"	AISI 1018/8620 Steel	4.5
	FFBEL-100	CVB-100-000	1" FNPT	10,000	3 1/4"	-----	5/8"	6 7/8"	AISI 1018/8620 Steel	16.0
	FFBDS-100	CVC-100-000	1" FNPT	3000	1 7/8"	-----	5/8"	5 3/4"	AISI 316 Stainless Steel	3.7
	FFBFS-100	CVF-100-000	1" FNPT	6000	2"	-----	5/8"	6 1/8"	AISI 316 Stainless Steel	4.7
	FFBES-100	CVD-100-000	1" FNPT	10,000	-----	3 1/4"	5/8"	6 7/8"	AISI 316 Stainless Steel	14.5
1 1/4"	FFBDL-125	CVA-125-000	1 1/4" FNPT	3000	2 1/2"	-----	1"	8"	AISI 1018/8620 Steel	8.6
	FFBFL-125	CVE-125-000	1 1/4" FNPT	6000	2 3/4"	-----	1"	8 1/8"	AISI 1018/8620 Steel	11.3
	FFBEL-125	CVB-125-000	1 1/4" FNPT	10,000	-----	3 3/8"	1"	8 1/2"	AISI 1018/8620 Steel	17.7
	FFBDS-125	CVC-125-000	1 1/4" FNPT	3000	2 1/2"	-----	1"	8"	AISI 316 Stainless Steel	8.9
	FFBFS-125	CVF-125-000	1 1/4" FNPT	6000	2 3/4"	-----	1"	8 1/8"	AISI 316 Stainless Steel	11.5
	FFBES-125	CVD-125-000	1 1/4" FNPT	10,000	-----	3 1/2"	1"	8 1/2"	AISI 316 Stainless Steel	19.3
1 1/2"	FFBDL-150	CVA-150-000	1 1/2" L.P. BOX	3000	2 1/2"	-----	1"	8"	AISI 1018/8620 Steel	8.0
	FFBFL-150	CVE-150-000	1 1/2" L.P. BOX	6000	2 3/4"	-----	1"	8 1/8"	AISI 1018/8620 Steel	10.7
	FFBEL-150	CVB-150-000	1 1/2" L.P. BOX	10,000	-----	3 3/8"	1"	8 1/2"	AISI 1018/8620 Steel	16.9
	FFBDS-150	CVC-150-000	1 1/2" L.P. BOX	3000	2 1/2"	-----	1"	8"	AISI 316 Stainless Steel	8.3
	FFBFS-150	CVF-150-000	1 1/2" L.P. BOX	6000	2 3/4"	-----	1"	8 1/8"	AISI 316 Stainless Steel	11.1
	FFBES-150	CVD-150-000	1 1/2" L.P. BOX	10,000	-----	3 1/2"	1"	8 1/2"	AISI 316 Stainless Steel	18.6
2"	FFBDL-200	CVA-200-000	2" L.P. BOX	3000	3 1/4"	-----	1 1/4"	8 1/2"	AISI 1018/8620 Steel	14.9
	FFBFL-200	CVE-200-000	2" L.P. BOX	6000	3 1/2"	-----	1 1/4"	8 3/4"	AISI 1018/8620 Steel	18.9
	FFBEL-200	CVB-200-000	2" L.P. BOX	10,000	-----	3 7/8"	1 1/4"	9 1/2"	AISI 1018/8620 Steel	24.1
	FFBDS-200	CVC-200-000	2" L.P. BOX	3000	-----	3 1/4"	1 1/4"	8 1/2"	AISI 316 Stainless Steel	13.6
	FFBFS-200	CVF-200-000	2" L.P. BOX	6000	-----	3 1/2"	1 1/4"	8 3/4"	AISI 316 Stainless Steel	17.2
	FFBES-200	CVD-200-000	2" L.P. BOX	10,000	-----	4"	1 1/4"	9 1/2"	AISI 316 Stainless Steel	26.4

Specifications Are Subject to Change Without Prior Notice.